

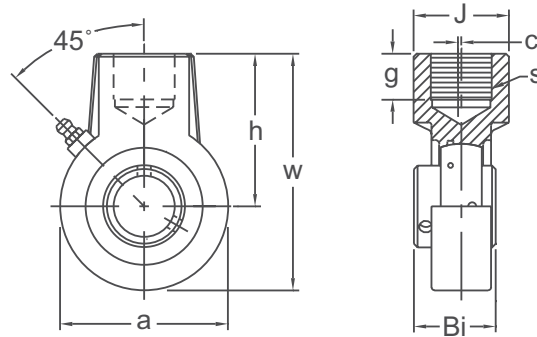


# HANGER BEARING UNITS

# UCECH 200

NORMAL DUTY

**Set-Screw Locking  
Wide Inner Ring  
Ductile Iron Housing  
Insert detail-pg.121  
Inch and Metric**



Shaft Diam. (in.)	AMI Unit #	List Price	Dimensions (in.)								Bearing #	Housing #	Weight (lb.)
			a	w	h	J	s (BSP)	g	Bi	c			
1/2	UCECH201-8	78.20	2-3/4	3-7/8	2-1/2	1-9/16	3/4-14	3/4	1.220	0	UC201-8	ECH204	1.87
5/8	UCECH202-10										UC202-10		
11/16	UCECH203-11										UC203-11		
3/4	UCECH204-12										UC204-12		
7/8	UCECH205-14	87.00	2-3/4	3-7/8	2-1/2	1-9/16	3/4-14	3/4	1.339	0	UC205-14	ECH205	1.63
15/16	UCECH205-15										UC205-15		
1	UCECH205-16										UC205-16		
1-1/16	UCECH206-17	101.00	3-1/8	4-1/8	2-1/2	1-9/16	3/4-14	3/4	1.500	0	UC206-17	ECH206	2.01
1-1/8	UCECH206-18										UC206-18		
1-3/16	UCECH206-19										UC206-19		
1-1/4	UCECH206-20										UC206-20		
1-1/4	UCECH207-20	128.85	3-5/8	4-9/16	2-3/4	1-9/16	3/4-14	3/4	1.689	0	UC207-20	ECH207	2.64
1-5/16	UCECH207-21										UC207-21		
1-3/8	UCECH207-22										UC207-22		
1-7/16	UCECH207-23										UC207-23		
1-1/2	UCECH208-24	157.00	3-3/4	4-3/4	2-7/8	1-9/16	3/4-14	3/4	1.937	0.079	UC208-24	ECH208	3.09
1-9/16	UCECH208-25										UC208-25		
1-5/8	UCECH209-26	173.90	4-1/4	5-3/8	3-1/4	1-7/8	1-11	13/16	1.937	0.157	UC209-26	ECH209	3.97
1-11/16	UCECH209-27										UC209-27		
1-3/4	UCECH209-28										UC209-28		
1-7/8	UCECH210-30	199.00	4-1/2	5-1/2	3-1/4	1-7/8	1-11	13/16	2.031	0.197	UC210-30	ECH210	4.19
1-15/16	UCECH210-31										UC210-31		
2	UCECH210-32										UC210-32		
2	UCECH211-32	292.90	5-5/8	6-13/16	4	2-23/64	1-1/4-11	1-1/8	2.189	0.343	UC211-32	ECH211	8.19
2-1/8	UCECH211-34										UC211-34		
2-3/16	UCECH211-35										UC211-35		
2-1/4	UCECH212-36	355.65	5-5/8	6-13/16	4	2-23/64	1-1/4-11	1-1/8	2.563	0.343	UC212-36	ECH212	8.6
2-3/8	UCECH212-38										UC212-38		
2-7/16	UCECH212-39										UC212-39		
2-1/2	UCECH213-40	429.15	6-3/4	7-7/8	4-5/8	2-3/4	1-1/2-11	1-1/4	2.563	0.374	UC213-40	ECH213	12.57
2-11/16	UCECH214-43	524.40	6-3/4	7-7/8	4-5/8	2-3/4	1-1/2-11	1-1/4	2.937	0.374	UC214-43	ECH214	12.68
2-3/4	UCECH214-44										UC214-44		
2-15/16	UCECH215-47	563.50	6-3/4	7-7/8	4-5/8	2-3/4	1-1/2-11	1-1/4	3.063	0.374	UC215-47	ECH215	12.55
3	UCECH215-48										UC215-48		
Dimensions (mm)													
20	UCECH204	78.20	70	99	64	40	3/4-14	19	31	0	UC204	ECH204	1.87
25	UCECH205	87.00	70	99	64	40	3/4-14	19	34	0	UC205	ECH205	1.65
30	UCECH206	101.00	80	104	64	40	3/4-14	19	38.1	0	UC206	ECH206	2.03
35	UCECH207	128.85	92	116	70	40	3/4-14	19	42.9	0	UC207	ECH207	2.68
40	UCECH208	157.00	96	121	73	40	3/4-14	19	49.2	2	UC208	ECH208	3.12
45	UCECH209	173.90	108	136	82	48	1-11	21	49.2	4	UC209	ECH209	4.01
50	UCECH210	199.00	114	140	83	48	1-11	21	51.6	5	UC210	ECH210	4.24
55	UCECH211	292.90	143	173	101.6	60	1-1/4-11	28.5	55.6	8.7	UC211	ECH211	8.22
60	UCECH212	355.65	143	173	101.6	60	1-1/4-11	28.5	65.1	8.7	UC212	ECH212	8.63
65	UCECH213	429.15	171	200	117.5	70	1-1/2-11	32	65.1	9.5	UC213	ECH213	12.61
70	UCECH214	524.40	171	200	117.5	70	1-1/2-11	32	74.6	9.5	UC214	ECH214	12.73
75	UCECH215	563.50	171	200	117.5	70	1-1/2-11	32	77.8	9.5	UC215	ECH215	12.61

Lubrication fitting tap size for 1" and smaller shaft sizes, 1/4-28 UNF; for all other sizes, 1/8-27 NPT

**INTERCHANGES:** RCH (Accu-Loc Style) UCHA MEHB UCH SEHB