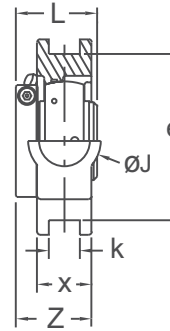
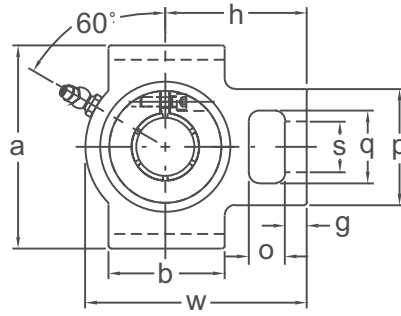


# UEST / UET 200

# ACCU-LOC® WIDE SLOT TAKE-UP UNITS



NORMAL DUTY



**Concentric Locking  
52100 Bearing Steel  
w/Black Oxide Finish  
Cast Iron Housing  
Insert detail-pg.133  
Inch and Metric**

Shaft Diam. (in.)	AMI Unit #	List Price	Dimensions (in.)															Bearing #	Housing #	Weight (lb.)
			o	g	p	q	s	b	k	e	a	w	J	x	h	Z	L			
3/4	UEST204-12	77.90	5/8	3/8	2	1-1/4	3/4	2	17/32	3	3-1/2	3-11/16	1-1/4	15/16	2-3/8	1.268	1.299	UE204-12	ST204	2.01
7/8	UEST205-14	85.90	5/8	3/8	2	1-1/4	7/8	2	17/32	3	3-1/2	3-13/16	1-1/4	15/16	2-7/16	1.300	1.394	UE205-14	ST205	1.96
15/16	UEST205-15																	UE205-15		
1	UEST205-16																	UE205-16		
1-1/8	UEST206-18	112.00	5/8	3/8	2-3/16	1-7/16	7/8	2-1/4	17/32	3-1/2	4	4-7/16	1-7/16	15/16	2-3/4	1.410	1.567	UE206-18	ST206	2.64
1-3/16	UEST206-19																	UE206-19		
1-1/4	UEST206-20																	UE206-20		
1-1/4	UEST207-20	148.60	5/8	1/2	2-1/2	1-7/16	7/8	2-1/2	17/32	3-1/2	4	5-1/16	1-7/16	1-3/16	3-1/16	1.633	1.728	UE207-20	ST207	3.86
1-3/8	UEST207-22																	UE207-22		
1-7/16	UEST207-23																	UE207-23		
1-1/2	UEST208-24	156.50	3/4	5/8	3-1/4	1-15/16	1-1/8	3-1/4	11/16	4	4-1/2	5-11/16	1-15/16	1-3/8	3-1/2	1.916	1.976	UE208-24	ST208	5.84
1-11/16	UEST209-27	179.80	3/4	5/8	3-1/4	1-15/16	1-1/8	3-1/4	11/16	4	4-5/8	5-11/16	1-15/16	1-3/8	3-7/16	1.916	1.976	UE209-27	ST209	5.68
1-3/4	UEST209-28																	UE209-28		
1-15/16	UEST210-31	191.70	3/4	5/8	3-1/4	1-15/16	1-1/8	3-3/8	11/16	4	4-5/8	5-7/8	1-15/16	1-3/8	3-9/16	2.011	2.071	UE210-31	ST210	5.91
2	UEST210-32																	UE210-32		
2	UEST211-32	221.90	1	3/4	4	2-1/2	1-3/8	3-3/4	1-1/16	5-1/8	5-3/4	6-3/4	2-1/2	1-5/8	4-3/16	2.167	2.228	UE211-32	ST211	9.90
2-3/16	UEST211-35																	UE211-35		
2-7/16	UEST212-39	263.80	1-1/4	3/4	4	2-1/2	1-3/8	4	1-1/16	5-1/8	5-3/4	7-5/8	2-1/2	1-13/16	4-11/16	2.528	2.622	UE212-39	ST212	12.35
Dimensions (mm)																				
20	UET204	78.50	16	10	51	32	19	51	12	76	89	94	32	21	61	30.8	33.0	UE204	T204	1.81
25	UET205	87.30	16	10	51	32	19	51	12	76	89	97	32	24	62	33.1	35.4	UE205	T205	2.03
30	UET206	114.80	16	10	56	37	22	57	12	89	102	113	37	28	70	37.9	39.8	UE206	T206	3.12
35	UET207	149.90	16	13	64	37	22	64	12	89	102	129	37	30	78	41.4	43.9	UE207	T207	3.90
40	UET208	160.20	19	16	83	49	29	83	16	102	114	144	49	33	88	47.7	50.2	UE208	T208	5.68
45	UET209	186.90	19	16	83	49	29	83	16	102	117	144	49	35	87	48.7	50.2	UE209	T209	5.74
50	UET210	197.80	19	16	83	49	29	86	16	102	117	149	49	37	90	52.1	52.6	UE210	T210	6.20
55	UET211	245.50	25	19	102	64	35	95	22	130	146	171	64	38	106	53.4	56.6	UE211	T211	9.78
60	UET212	274.90	32	19	102	64	35	102	22	130	146	194	64	42	119	62.2	66.6	UE212	T212	12.38

Lubrication fitting tap size for 1" and smaller shaft sizes, 1/4-28 UNF; for all other sizes, 1/8-27 NPT

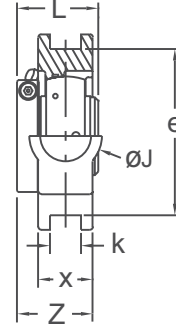
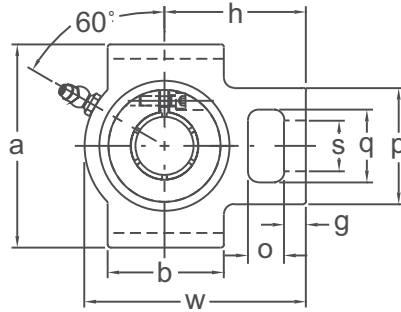
**INTERCHANGES: WSTU-DL KTC-45 ST-T**

# UESTX 00

## ACCU-LOC® WIDE SLOT TAKE-UP UNITS



MEDIUM DUTY



**Concentric Locking**  
**52100 Bearing Steel**  
**w/Black Oxide Finish**  
**Cast Iron Housing**  
**Insert detail-pg.133**  
**Inch Sizes Only**

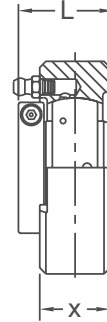
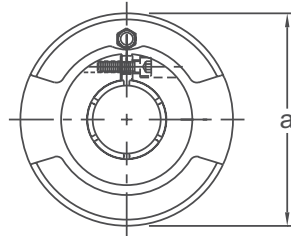
Shaft Diam. (in.)	AMI Unit #	List Price	Dimensions (in.)																	Bearing #	Housing #	Weight (lb.)
			o	g	p	q	s	b	k	e	a	w	J	x	h	Z	L					
1	UESTX05-16	225.95	5/8	3/8	2 3/16	1-7/16	7/8	2-1/4	17/32	3-1/2	4	4-7/16	1-7/16	15/16	2-3/4	1-25/64	1-35/64	UEX05-16	ST206	2.58		
1-3/16	UESTX06-19	269.90	5/8	1/2	2 1/2	1-7/16	7/8	2-1/2	17/32	3-1/2	4	5-1/16	1-7/16	1-3/16	3-1/16	1-21/32	1-3/4	UEX06-19	ST207	3.74		
1-1/4	UESTX06-20																	UE207-20	3.76			
1-7/16	UESTX07-23	299.75	3/4	5/8	3 1/4	1-15/16	1-1/8	3-1/4	11/16	4	4-1/2	5-11/16	1-15/16	1-3/8	3-1/2	1-29/32	1-31/32	UEX07-23	ST208	5.56		
1-1/2	UESTX08-24	335.25	3/4	5/8	3 1/4	1-15/16	1-1/8	3-1/4	11/16	4	4-5/8	5-11/16	1-15/16	1-3/8	3-7/16	1-29/32	1-31/32	UEX08-24	ST209	5.60		
1-11/16	UESTX09-27	366.90	3/4	5/8	3 1/4	1-15/16	1-1/8	3-3/8	11/16	4	4-5/8	5-7/8	1-15/16	1-3/8	3-9/16	2-1/64	2-5/64	UEX09-27	ST210	5.95		
1-3/4	UESTX09-28																	UEX09-28	5.85			
1-1/6	UESTX10-31	455.95	1	3/4	4	2-1/2	1-3/8	3-3/4	1-1/16	5-1/8	5-3/4	6-3/4	2-1/2	1-5/8	4-3/16	2-11/64	2-15/64	UEX10-31	ST211	9.25		
2	UESTX10-32																	UE211-32	9.14			
2-3/16	UESTX11-35	512.55	1-1/4	3/4	4	2-1/2	1-3/8	4	1-1/16	5-1/8	5-3/4	7-5/8	2-1/2	1-13/16	4-11/16	2-33/64	2-39/64	UEX11-35	ST212	11.29		

Lubrication fitting tap size 1/8-27 NPT

**INTERCHANGES: MST-T / WSTU-DLM**

# UELCX 00

## ACCU-LOC® CARTRIDGE UNITS



**Concentric Locking**  
**52100 Bearing Steel**  
**w/Black Oxide Finish**  
**Cast Iron Housing**  
**Insert detail-pg.133**  
**Inch Sizes Only**

Shaft Diam. (in.)	AMI Unit #	List Price	Dimensions (in.)			Bearing #	Housing #	Weight (lb.)
			A	X	L			
1	UELCX05-16	186.35	3-1/2	1-3/32	1-35/64	UEX05-16	LC206	2.22
1-3/16	UELCX06-19	228.70	3-7/8	1-7/32	1-3/4	UEX06-19	LC207	3.04
1-1/4	UELCX06-20				1-47/64	UE207-20		3.06
1-7/16	UELCX07-23	252.15	4-3/16	1-15/32	1-31/32	UEX07-23	LC208	3.80
1-1/2	UELCX08-24	278.45	4-3/8	1-7/16	1-31/32	UEX08-24	LC209	4.18
1-11/16	UELCX09-27	300.05	4-9/16	1-15/32	2-5/64	UEX09-27	LC210	4.67
1-3/4	UELCX09-28					UEX09-28		4.57
1-15/16	UELCX10-31	386.55	4-15/16	1-19/32	2-15/64	UEX10-31	LC211	5.63
2	UELCX10-32					UE211-32		5.52
2-3/16	UELCX11-35	475.70	5-7/8	1-5/8	2-39/64	UEX11-35	LC212	8.53

Lubrication fitting tap size 1/4-28 UNF

**INTERCHANGES: MSC-T**