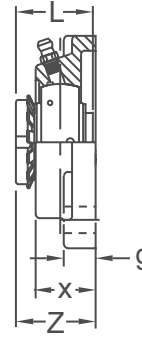
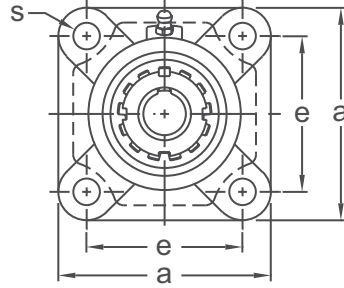


UKF 200+H

FOUR-BOLT FLANGE UNITS



NORMAL DUTY



Tapered Adapter Sleeve
Wide Inner Ring
Cast Iron Housing
Insert Detail-pg.128
Inch and Metric

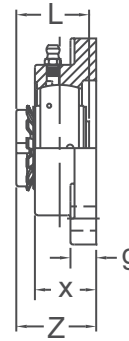
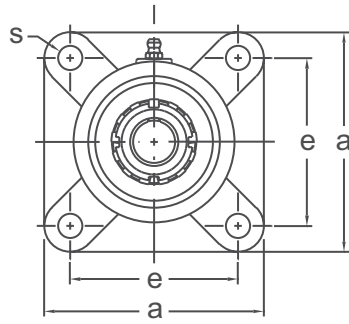
Shaft Diam. (in.)	AMI Unit #	List Price	Dimensions (in.)							Bolt Size (in.)	Bearing #	Housing #	Weight (lb.)
			a	e	g	x	s	Z	L				
3/4	UKF205+HE2305	87.10	3-3/4	2-3/4	9/16	1-1/16	15/32	1.398	1.378	7/16	UK205+HE2305	F205	1.94
13/16	UKF205+HA2305												
7/8	UKF206+HS2306	106.50	4-1/4	3-1/4	9/16	1-7/32	15/32	1.535	1.496	7/16	UK206+HS2306	F206	2.68
15/16	UKF206+HA2306												
1	UKF206+HE2306												
1-1/8	UKF207+HS2307	121.70	4-5/8	3-5/8	5/8	1-11/32	17/32	1.634	1.693	1/2	UK207+HS2307	F207	3.35
1-3/16	UKF207+HA2307												
1-1/4	UKF208+HE2308	141.60	5-1/8	4	5/8	1-13/32	17/32	1.792	1.811	1/2	UK208+HE2308	F208	4.68
1-5/16	UKF208+HA2308												
1-3/8	UKF208+HS2308												
1-7/16	UKF209+HA2309	152.40	5-3/8	4-1/8	23/32	1-1/2	19/32	1.890	1.969	9/16	UK209+HA2309	F209	5.58
1-1/2	UKF209+HE2309												
1-5/8	UKF209+HS2309												
1-11/16	UKF210+HA2310	176.90	5-5/8	4-3/8	23/32	1-9/16	19/32	1.949	2.165	9/16	UK210+HA2310	F210	6.02
1-3/4	UKF210+HE2310												
1-7/8	UKF211+HS2311	234.50	6-3/8	5-1/8	25/32	1-11/16	21/32	2.106	2.323	5/8	UK211+HS2311	F211	8.03
1-15/16	UKF211+HA2311												
2	UKF211+HE2311												
2-1/16	UKF212+HA2312	290.00	6-7/8	5-5/8	25/32	1-7/8	21/32	2.362	2.441	5/8	UK212+HA2312	F212	10.3
2-1/8	UKF212+HS2312												
2-3/16	UKF213+HA2313	317.50	7-3/8	5-7/8	25/32	1-1/32	21/32	2.480	2.559	5/8	UK213+HA2313	F213	12.7
2-1/4	UKF213+HE2313												
2-3/8	UKF213+HS2313												
2-7/16	UKF215+HA2315	513.50	7-7/8	6-1/4	15/16	2-7/32	3/4	2.736	2.874	11/16	UK215+HA2315	F215	16.3
2-1/2	UKF215+HE2315												
2-3/4	UKF216+HE2316	522.80	8-3/16	6-1/2	15/16	2-9/32	29/32	2.874	3.071	7/8	UK216+HE2316	F216	18.3
2-15/16	UKF217+HA2317	629.40	8-11/16	6-7/8	1-1/32	2-15/32	29/32	3.032	3.228	7/8	UK217+HA2317	F217	21.9
3	UKF217+HE2317												
3-1/8	UKF218+HS2318	774.80	9-1/4	7-3/8	1-1/32	2-11/16	29/32	3.248	3.386	7/8	UK218+HS2318	F218	26.1
Dimensions (mm)													
20	UKF205+H2305	87.10	95	70	14	27	12	35.5	35	M10	UK205+H2305	F205	1.94
25	UKF206+H2306	106.50	108	83	14	31	12	39	38	M10	UK206+H2306	F206	2.68
30	UKF207+H2307	121.70	117	92	16	34	13.5	41.5	43	M12	UK207+H2307	F207	3.35
35	UKF208+H2308	141.60	130	102	16	36	13.5	45.5	46	M12	UK208+H2308	F208	4.68
40	UKF209+H2309	152.40	137	105	18	38	15	48	50	M14	UK209+H2309	F209	5.58
45	UKF210+H2310	176.90	143	111	18	40	15	49.5	55	M14	UK210+H2310	F210	6.02
50	UKF211+H2311	234.50	162	130	20	43	17	53.5	59		UK211+H2311	F211	8.03
55	UKF212+H2312	290.00	175	143	20	48	17	60	62	M16	UK212+H2312	F212	10.3
60	UKF213+H2313	317.50	187	149	20	50	17	63	65		UK213+H2313	F213	12.7
65	UKF215+H2315	513.50	200	159	24	56	19	69.5	73	M16	UK215+H2315	F215	16.3
70	UKF216+H2316	522.80	208	165	24	58	23	73	78	M20	UK216+H2316	F216	18.3
75	UKF217+H2317	629.40	220	175	26	63	23	77	82	M20	UK217+H2317	F217	21.9
80	UKF218+H2318	774.80	235	187	26	68	23	82.5	86	M20	UK218+H2318	F218	26.1

Lubrication fitting tap size for 1" and smaller shaft sizes, 1/4-28 UNF; for all other sizes, 1/8-27 NPT

INTERCHANGES: UKF

UKFX 00+H

FOUR-BOLT FLANGE UNITS



Tapered Adapter Sleeve
Wide Inner Ring
Cast Iron Housing
Insert detail-pg.132
Inch and Metric

MEDIUM DUTY

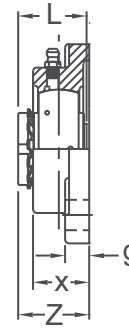
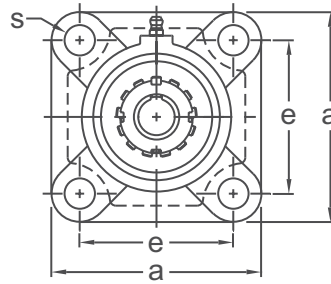
Shaft Diam. (in.)	AMI Unit #	List Price	Dimensions (in.)							Bolt Size (in.)	Bearing #	Housing #	Weight (lb.)
			a	e	g	x	s	Z	L				
3/4 13/16	UKFX05+HE2305 UKFX05+HA2305	119.40	4-1/4	3-1/4	1/2	1-3/16	15/32	1.535	1.378	7/16	UKX05+HE2305 UKX05+HA2305	FX05	2.45
7/8 15/16	UKFX06+HS2306 UKFX06+HA2306 UKFX06+HE2306	136.80	4-5/8	3-5/8	9/16	1-11/32	17/32	1.614	1.496	1/2	UKX06+HS2306 UKX06+HA2306 UKX06+HE2306	FX06	3.12
1-1/8 1-3/16	UKFX07+HS2307 UKFX07+HA2307	164.10	5-1/8	4	9/16	1-1/2	17/32	1.752	1.693	1/2	UKX07+HS2307 UKX07+HA2307	FX07	4.01
1-1/4 1-5/16	UKFX08+HE2308 UKFX08+HA2308 UKFX08+HS2308	192.45	5-3/8	4-1/8	9/16	1-9/16	19/32	1.851	1.811	9/16	UKX08+HE2308 UKX08+HA2308 UKX08+HS2308	FX08	4.01
1-7/16 1-1/2	UKFX09+HA2309 UKFX09+HE2309 UKFX09+HS2309	211.30	5-5/8	4-3/8	9/16	1-9/16	19/32	1.949	1.969	9/16	UKX09+HA2309 UKX09+HE2309 UKX09+HS2309	FX09	5.35
1-11/16 1-3/4	UKFX10+HA2310 UKFX10+HE2310	250.90	6-3/8	5-1/8	25/32	1-3/4	21/32	2.146	2.165	5/8	UKX10+HA2310 UKX10+HE2310	FX10	8.03
1-7/8 1-15/16	UKFX11+HS2311 UKFX11+HA2311 UKFX11+HE2311	323.65	6-7/8	5-5/8	25/32	1-15/16	21/32	2.323	2.323	5/8	UKX11+HS2311 UKX11+HA2311 UKX11+HE2311	FX11	9.59
2-1/16 2-1/8	UKFX12+HA2312 UKFX12+HS2312	382.50	7-3/8	5-7/8	13/16	2-5/16	21/32	2.598	2.441	5/8	UKX12+HA2312 UKX12+HS2312	FX12	11.8
2-3/16 2-1/4	UKFX13+HA2313 UKFX13+HE2313 UKFX13+HS2313	441.05	7-3/8	5-7/8	13/16	2-5/16	21/32	2.677	2.559	5/8	UKX13+HA2313 UKX13+HE2313 UKX13+HS2313	FX13	11.6
2-7/16 2-1/2	UKFX15+HA2315 UKFX15+HE2315	606.10	7-3/4	6	15/16	2-11/16	25/32	3.032	2.874	3/4	UKX15+HA2315 UKX15+HE2315	FX15	17.2
2-3/4	UKFX16+HE2316	790.45	8-7/16	6-3/4	15/16	2-3/4	25/32	3.150	3.071	3/4	UKX16+HE2316	FX16	22.8
2-15/16 3	UKFX17+HA2317 UKFX17+HE2317	850.25	8-7/16	6-3/4	15/16	2-3/4	25/32	3.248	3.228	3/4	UKX17+HA2317 UKX17+HE2317	FX17	22.6
3-1/8	UKFX18+HS2318	1102.65	8-7/16	6-3/4	15/16	3	25/32	3.504	3.386	3/4	UKX18+HS2318	FX18	22.8
3-7/16 3-1/2	UKFX20+HA2320 UKFX20+HE2320	1473.05	10-9/16	8-5/16	1-7/32	3-13/16	1-1/32	4.252	3.819	1	UKX20+HA2320 UKX20+HE2320	FX20	36.5
Dimensions (mm)													
20	UKFX05+H2305	119.40	108	83	13	30	12	39	35	M10	UKX05+H2305	FX05	2.45
25	UKFX06+H2306	136.80	117	92	14	34	13.5	40.5	38	M12	UKX06+H2306	FX06	3.12
30	UKFX07+H2307	164.10	130	102	14	38	13.5	44.5	43	M12	UKX07+H2307	FX07	4.01
35	UKFX08+H2308	192.45	137	105	14	40	15	47	46	M14	UKX08+H2308	FX08	4.01
40	UKFX09+H2309	211.30	143	111	14	40	15	49.5	50	M14	UKX09+H2309	FX09	5.35
45	UKFX10+H2310	250.90	162	130	20	44	17	54.5	55	M16	UKX10+H2310	FX10	8.03
50	UKFX11+H2311	323.65	175	143	20	49	17	59	59		UKX11+H2311	FX11	9.59
55	UKFX12+H2312	382.50	187	149	21	59	17	66	62	M16	UKX12+H2312	FX12	11.8
60	UKFX13+H2313	441.05	187	149	21	59	17	68	65		UKX13+H2313	FX13	11.6
65	UKFX15+H2315	606.10	197	152	24	68	20	77	73		UKX15+H2315	FX15	17.2
70	UKFX16+H2316	790.45	214	171	24	70	20	80	78	M18	UKX16+H2316	FX16	22.8
75	UKFX17+H2317	850.25	214	171	24	70	20	82.5	82		UKX17+H2317	FX17	22.6
80	UKFX18+H2318	1102.65	214	171	24	76	20	89	86	M18	UKX18+H2318	FX18	22.8
90	UKFX20+H2320	1473.05	268	211	31	97	26	108	97	M24	UKX20+H2320	FX20	35.5

Lubrication fitting tap size 1/8-27 NPT

INTERCHANGES: UKFX

UKF 300+H

FOUR-BOLT FLANGE UNITS



**Tapered Adapter Sleeve
Wide Inner Ring
Cast Iron Housing
Insert detail-pg.136
Inch and Metric**

HEAVY DUTY

Shaft Diam. (in.)	AMI Unit #	List Price	Dimensions (in.)							Bolt Size (in.)	Bearing #	Housing #	Weight (lb.)
			a	e	g	x	s	Z	L				
3/4	UKF305+HE2305	166.20	4-5/16	3-5/32	1/2	1-5/32	5/8	1.457	1.379	1/2	UK305+HE2305	F305	2.68
7/8	UKF306+HS2306	204.50	4-15/16	3-47/64	19/32	1-1/4	5/8	1.595	1.496	1/2	UK306+HS2306	F306	3.79
15/16	UKF306+HA2306										UK306+HA2306		
1	UKF306+HE2306										UK306+HE2306		
1-1/8	UKF307+HS2307	242.00	5-5/16	3-15/16	5/8	1-13/32	3/4	1.752	1.693	5/8	UK307+HS2307	F307	4.68
1-3/16	UKF307+HA2307										UK307+HA2307		
1-1/4	UKF308+HE2308	287.00	5-7/8	4-13/32	21/32	1-9/16	3/4	1.969	1.811	5/8	UK308+HE2308	F308	6.69
1-5/16	UKF308+HA2308										UK308+HA2308		
1-3/8	UKF308+HS2308										UK308+HS2308		
1-7/16	UKF309+HA2309	356.70	6-5/16	4-59/64	23/32	1-23/32	3/4	2.146	1.969	5/8	UK309+HA2309	F309	8.03
1-1/2	UKF309+HE2309										UK309+HE2309		
1-5/8	UKF309+HS2309										UK309+HS2309		
1-11/16	UKF310+HA2310	455.40	6-7/8	5-13/64	3/4	1-7/8	29/32	2.362	2.165	3/4	UK310+HA2310	F310	10.70
1-3/4	UKF310+HE2310										UK310+HE2310		
1-7/8	UKF311+HS2311	565.50	7-5/16	5-33/64	25/32	2-1/16	29/32	2.503	2.323	3/4	UK311+HS2311	F311	12.70
1-15/16	UKF311+HA2311										UK311+HA2311		
2	UKF311+HE2311										UK311+HE2311		
2-1/16	UKF312+HA2312	671.00	7-11/16	5-29/32	7/8	2-7/32	29/32	2.717	2.441	3/4	UK312+HA2312	F312	15.00
2-1/8	UKF312+HS2312										UK312+HS2312		
2-3/16	UKF313+HA2313	762.00	8-3/16	6-17/32	7/8	2-9/32	29/32	2.795	2.559	3/4	UK313+HA2313	F313	17.20
2-1/4	UKF313+HE2313										UK313+HE2313		
2-3/8	UKF313+HS2313										UK313+HS2313		
2-7/16	UKF315+HA2315	1065.00	9-5/16	7-1/4	1	2-19/32	63/64	3.189	2.874	7/8	UK315+HA2315	F315	26.30
2-1/2	UKF315+HE2315										UK315+HE2315		
2-11/16	UKF316+HA2316	1225.00	9-13/16	7-23/32	1-1/16	2-11/16	1-7/32	3.287	3.071	1	UK316+HA2316	F316	31.00
2-3/4	UKF316+HE2316										UK316+HE2316		
2-15/16	UKF317+HA2317	1480.00	10-1/4	8-1/32	1-1/16	2-29/32	1-7/32	3.662	3.228	1	UK317+HA2317	F317	33.70
3	UKF317+HE2317										UK317+HE2317		
3-1/8	UKF318+HS2318	1634.00	11	8-1/2	1-3/16	3	1-3/8	3.681	3.386	1-1/8	UK318+HS2318	F318	42.40
3-3/16	UKF318+HA2318										UK318+HA2318		
3-1/4	UKF319+HE2319	2015.00	11-13/32	8-31/32	1-3/16	3-11/16	1-3/8	4.370	3.543	1-1/8	UK319+HE2319	F319	46.40
3-7/16	UKF320+HA2320	2350.00	12-3/16	9-17/32	1-1/4	3-11/16	1-1/2	4.528	3.819	1-1/4	UK320+HA2320	F320	55.30
3-1/2	UKF320+HE2320										UK320+HE2320		
4	UKF322+HE2322	3178.00	13-3/8	10-1/2	1-3/8	3-25/32	1-5/8	4.764	4.134	1-3/8	UK322+HE2322	F322	77.60
Dimensions (mm)													
20	UKF305+H2305	166.20	110	80	13	29	16	37	35	M14	UK305+H2305	F305	2.68
25	UKF306+H2306	204.50	125	95	15	32	16	40.5	38	M14	UK306+H2306	F306	3.79
30	UKF307+H2307	242.00	135	100	16	36	19	44.5	43	M16	UK307+H2307	F307	4.68
35	UKF308+H2308	287.00	150	112	17	40	19	50	46	M16	UK308+H2308	F308	6.69
40	UKF309+H2309	356.70	160	125	18	44	19	54.5	50	M16	UK309+H2309	F309	8.03
45	UKF310+H2310	455.40	175	132	19	48	23	60	55	M20	UK310+H2310	F310	10.7
50	UKF311+H2311	565.50	185	140	20	52	23	63.5	59		UK311+H2311	F311	12.7
55	UKF312+H2312	671.00	195	150	22	56	23	69	62	M20	UK312+H2312	F312	15.0
60	UKF313+H2313	762.00	208	166	22	58	23	71	65		UK313+H2313	F313	17.2
65	UKF315+H2315	1065.00	236	184	25	66	25	81	73	M22	UK315+H2315	F315	26.3
70	UKF316+H2316	1225.00	250	196	27	68	31	83.5	78	M27	UK316+H2316	F316	31.0
75	UKF317+H2317	1480.00	260	204	27	74	31	92	82	M27	UK317+H2317	F317	33.7
80	UKF318+H2318	1634.00	280	216	30	76	35	93.5	86	M33	UK318+H2318	F318	42.4
85	UKF319+H2319	2015.00	290	228	30	94	35	111	90	M33	UK319+H2319	F319	46.4
90	UKF320+H2320	2350.00	310	242	32	94	38	115	97	M36	UK320+H2320	F320	55.3
100	UKF322+H2322	3178.00	340	266	35	96	41	121	105		UK322+H2322	F322	77.6
110	UKF324+H2324	4122.00	370	290	40	110	41	130	112	M36	UK324+H2324	F324	104.2
115	UKF326+H2326	5430.00	410	320	45	115	41	134	121		UK326+H2326	F326	140.5
125	UKF328+H2328	6695.00	450	350	55	125	41	148	131	M36	UK328+H2328	F328	195.0

Lubrication fitting tap size 1/8-27 NPT

INTERCHANGES: UKF3